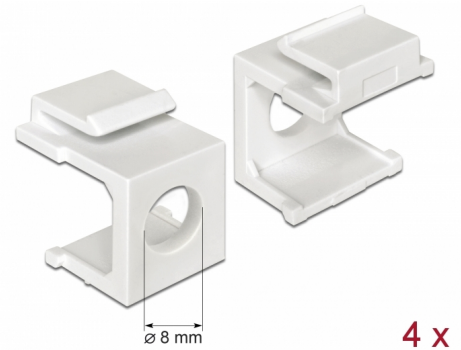


Delock Keystone cover white with 8 mm hole 4 pieces

Description

This Keystone cover by Delock can be used e. g. for mounting connectors.

With its standardised dimensions it can be used for easy snap-in mounting in e.g. a Keystone patch panel, face plate or surface-mount box.



Item no. 86400

EAN: 4043619864003

Country of origin: Taiwan,
Republic of China

Package: Zip poly bag

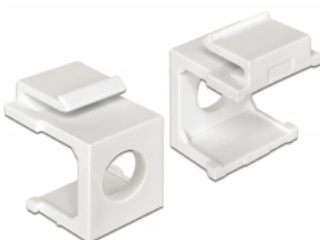
Technical details

- For Keystone ports with 19.2 x 14.9 mm
- 8 mm hole
- Colour: white
- Dimensions (LxWxH): ca. 22.3 x 17.3 x 16.3 mm

Package content

- 4 x Keystone cover

Images



General

| | |
|----------------|-----------------|
| Mounting type: | Keystone module |
|----------------|-----------------|

Physical characteristics

| | |
|-----------------|---------|
| Housing colour: | white |
| Length: | 22.3 mm |
| Width: | 16.3 mm |
| Height: | 17.3 mm |