

Delock WLAN 802.11 ac/a/b/g/n Antenna RP-SMA plug 4 - 5 dBi omnidirectional with tilt joint black

Description

This Wireless LAN antenna can be connected to a WLAN device with RP-SMA interface, in order to send and receive signals.

Bluetooth



RP-SMA

Item no. 88393

EAN: 4043619883936

Country of origin: Taiwan,
Republic of China

Package: Zip poly bag

Technical details

- Connector: RP-SMA plug
- Frequency range:
2.4000 - 2.4835 GHz
5.1500 - 5.7250 GHz
- Antenna gain: 4 - 5 dBi
- Impedance: 50 Ohm
- Polarisation: linear, vertical
- VSWR: 2.0
- Operating temperature: -20 °C ~ 65 °C
- Housing material: TPEE
- Colour: black
- Length:
ca. 195.00 mm (with tilt joint)
ca. 165.00 mm (without tilt joint)
- Diameter:
ca. 6.00 mm (top)
ca. 12.50 mm (RP-SMA)

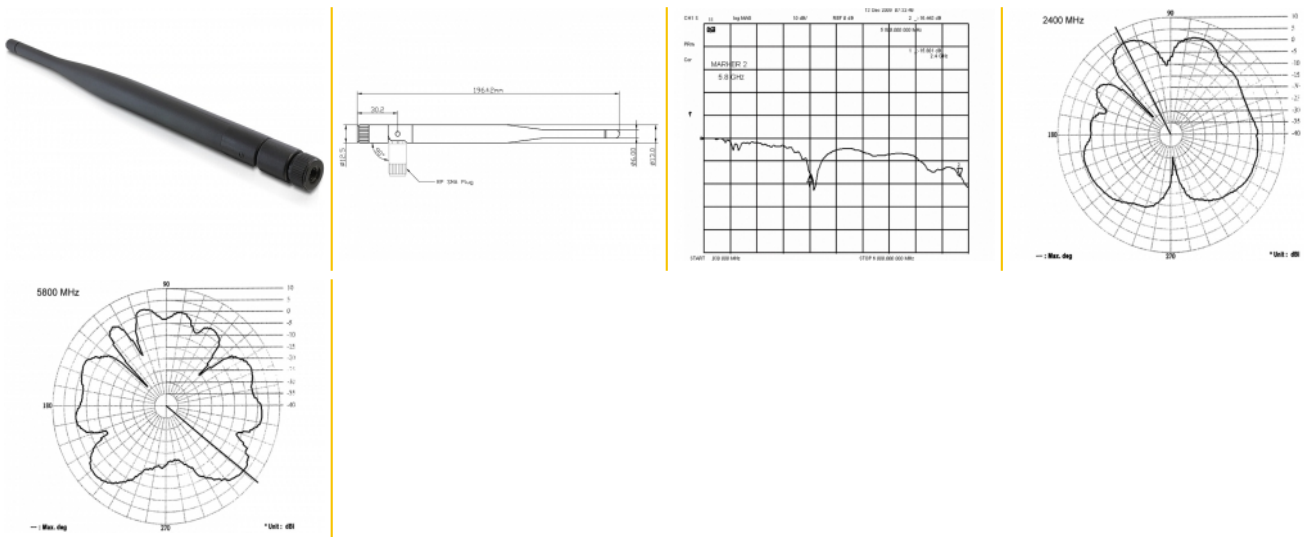
System requirements

- Device with a free RP-SMA jack

Package content

- WLAN antenna

Images



General

Suitable for indoor:	yes
----------------------	-----

Interface

Connector:	RP-SMA plug
------------	-------------

Technical characteristics

Frequency range:	2.4000 GHz - 2.4835 GHz 5.1500 - 5.7250 GHz
Antenna gain:	4 - 5 dBi
Beam width horizontal:	360°
Impedance:	50 Ω
Operating temperature:	-20 °C ~ 65 °C
Polarisation:	linear vertical
VSWR:	2.0

Physical characteristics

Housing colour:	black
Housing material:	TPEE
Diameter:	12.5 cm
Length:	19.6 cm

Herstellerinformation

Strasse	Beeskowdamm 13/15
PLZ	14167
Ort	Berlin
Land	Deutschland
E-Mail	info@delock.de
Webseite	www.delock.de